

Substrate edge holders



For the HP Latex 1500 and 3x00 printers

Related links:
www.hp.com/go/latex/

This document lists all available accessories to enable you to order the substrate edge holders on the Latex 1500 and Latex 3x00 printers.

Substrate edge holders models

Each substrate edge holder consists of 2x sliders (input and output) and one strip.

There are two different models of substrate edge holders depending on the slider type.

	Printer compatibility	Slider fixing method	Slider color
Type A	Latex 1500 /Latex 3x00	Screw	Black
Type B	Only Latex 3x00	Magnet	Blue

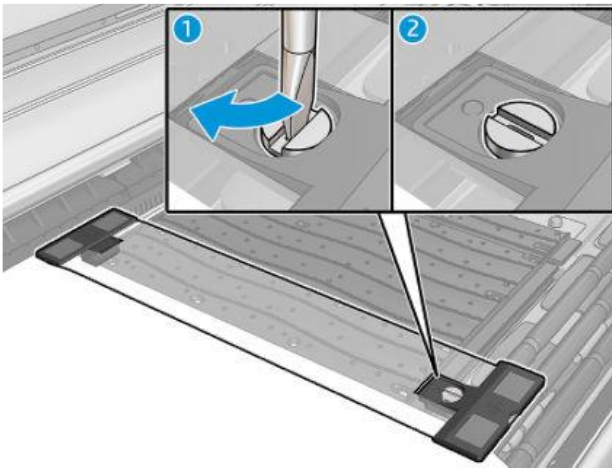


Fig 1. Type A Substrate edge holders

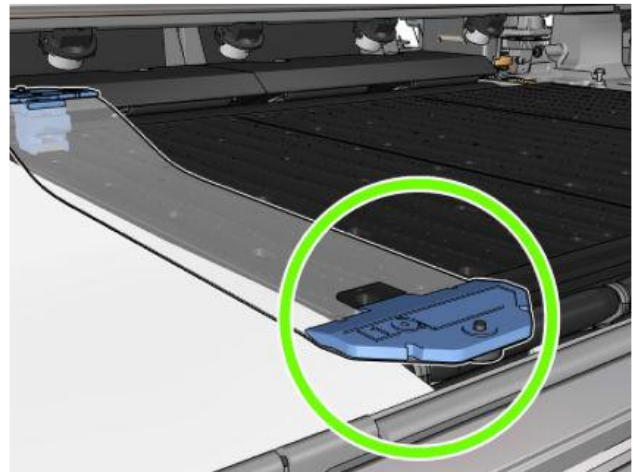


Fig 2. Type B Substrate edge holders

Availability and printer compatibility

The following table lists the current Accessories and Service kits containing the different substrate edge holders.

	Ref	Description	Content	Slider type	HP Latex 1500	HP Latex 3x00
Accessory	V8A82A	HP Latex 1500 Edge Holder kit	8x sliders (4 input, 4 output) 24 strips	A (Black)	Yes	
Accessory	Z3R57A	HP Latex 1500 day and night Edge Holder kit	8x sliders (4 input, 4 output) 24 strips 4x sliders (2 input, 2 output) for DSDN and 10 strips	A (Black) + DSDN MEH	Yes	
Accessory	F0D27B	HP Latex 3000 Edge Holder kit	8x sliders (4 input, 4 output) 24 strips	B (Blue)		Yes*
Accessory	1ML40A	HP Latex 3000 Edge Holder Kit Day Night Compatible	8x sliders (4 input, 4 output) 24 strips	A (Black)		Yes
Accessory	Z3R55A	HP Latex 3000 Day and Night Edge holder kit	8x sliders (4 input, 4 output) 24 strips 4x sliders (2 input, 2 output) for DSDN and 10 strips	A (Black) + DSDN MEH		Yes

***IMPORTANT:** **F0D27B** (Type B sliders, Blue) is not compatible with HP Latex 3x00 printers with the Double Sided Day and Night kit Accessory installed. Those printers must only use the **1ML40A** Accessory kit.

NOTE: Latex 3600 printers manufactured from serial number SG9AF1R001 and onwards, have the F0D27B accessory included within the box.